

### Important

Thank you for buying our brand new vacuum gauge. Please read this manual thoroughly before use and keep it with the gauge for further consultation.



### Overview

VG-760 digital vacuum gauge features a professional vacuum sensor to precisely obtain vacuum measurements in the HVAC/R system and avoid compact on the system due to insufficient evacuation. The gauge can monitor the system in real time, test system leak and discern vacuum pump quality.

### Specifications

Measuring range	0 to 19000 microns	
Resolution	0 to 400 microns	1 micron
	400 to 3000 microns	10 microns
	3000 to 10000 microns	100 microns
	10000 to 19000 microns	250 microns
Accuracy	1-10000 microns	±10% of Reading ±10 microns
	10000-19000 microns	±20% of Reading
Units	inHg/Torr/psia/mbar/mTorr/Pa/micron/kPa	
Power supply	3 AA batteries	
Battery life	300 hours	
Max overload pressure	27.5 bar	
Operating temperature	0°F~140°F (-17.8°C~60°C)	
Fitting	1/4" male flare	
Product size	127 x 74 x 37mm	

### Operation

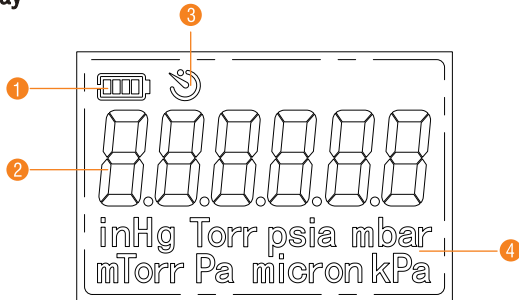
- Press power button to turn on the gauge before connecting it to a system. It will take 10 seconds for the gauge to warm up before it enters normal display.
- After power on, if the current goes above its measuring range, the gauge will keep display "----" until the pressure reaches to normal ranges.  
**Note: Keep the pressure below 27.5 bar, otherwise the sensor may be damaged.**
- Make sure the fittings of the access system and the gauge match. If not, please use the included adapter.
- Press and release to turn on backlight. The backlight will be auto off two minutes later. Press in two minutes to turn off backlight directly.
- Press and release UNITS to switch measurement units.
- Press and release to turn off the gauge. Please use special tools to disconnect it.  
**Note: Please do not close the vacuum pump before disconnecting from the system, or high pressure may occur in the system so that impurities will enter the sensor cavity.**

### Battery Indicator

When the battery voltage is extremely low, the battery indicator icon will blink and the LCD may display unstably. Please replace the batteries in time so that you can use the gauge normally.

### Maintenance

### Display

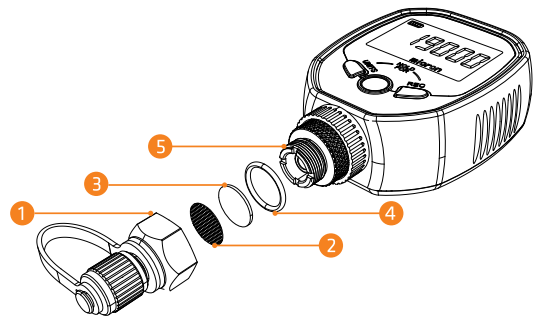


1 - Power level	3 - Auto off
2 - Pressure value	4 - Units

### Buttons



Button			UNITS
Press and release	Backlight on/off	Power on/off	Switch units
Press both	Enable auto off		



① Sensor Nut	④ O-ring
② Filter Net	⑤ Vacuum
③ Filter Cotton	

The filter cotton in the cavity is used to filter impurities and reduce sensor pollution. In order to maintain the best measurement accuracy, regular inspection is required.

Follow the steps below:

- Turn the gauge off and remove the batteries.
- Remove the sensor nut with a wrench, and remove the filter cotton and net.
- Check whether the filter cotton and net are contaminated with impurities. Try to wipe it with a paper towel. Replace the filter cotton if it cannot be cleaned.
- Check whether the O-ring is intact. If damaged, replace it. Before replacement, lubricate the O-ring with vacuum oil.

5. Put the filter net and cotton into the sensor nut and tighten the nut with a wrench.  
(Torsion  $\geq 5\text{N}\cdot\text{m}$ )

If the vacuum sensor inside the cavity is contaminated, follow the methods below to clean it.

1. Inject acetone or alcohol ( $>70\%$ ) into the vacuum cavity with a dropper or a syringe. Tighten the nut and gently shake the gauge.
2. Loosen the nut and drain the fluid from the cavity. Repeat such operation 3 to 4 times.
3. Evacuate it or place it for 3 hours until the sensor gets dry.

## What's Included

VG-760 Vacuum Gauge x 1

AA Alkaline Batteries x 3

User Manual x 1

## Warning

- Please use the gauge in specified environment to avoid error or damage of the sensor.
- Please do not use chemical solvent or corrosive liquid to clean the gauge.
- Please do not disassemble the gauge.
- Remove the batteries if the gauge is not to be used for a long time in case the leakage corrodes it. The batteries included are not rechargeable. Please do not charge them.
- Please use a special tool to install or disassemble it. Do not strongly rotate the shell in case it is damaged.

